



### Hyper-efficient PACP inspections.

For automatic video recording, connect the ZIPCAM<sup>360</sup> to the cleaning nozzle once the pipe is clean.

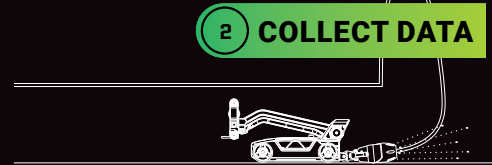
Get the most out of your budget.

Ensure consistent quality.

Analyze your data whenever it suits you.

### Make the most of each time you open a sewer manhole.

- ✓ The redesigned workflow from ZIPCAM<sup>360</sup> helps you make the most of the time of your teams in the field;
- ✓ 360° video recording: Captures 99% of defects;
- ✓ Easy to use by operators, regardless of their level of experience;
- ✓ No need for an inspection unit with a pipe crawler.



# ZIPCAM 360

CAN-EX TECHNOLOGIES

## Sewer system management

has now entered a new era.



VIDEO QUALITY: 3K@60FPS



LIGHTING: 2000 LUMENS



INSPECTS PIPES FROM 200 TO 1200 MM IN DIAMETER



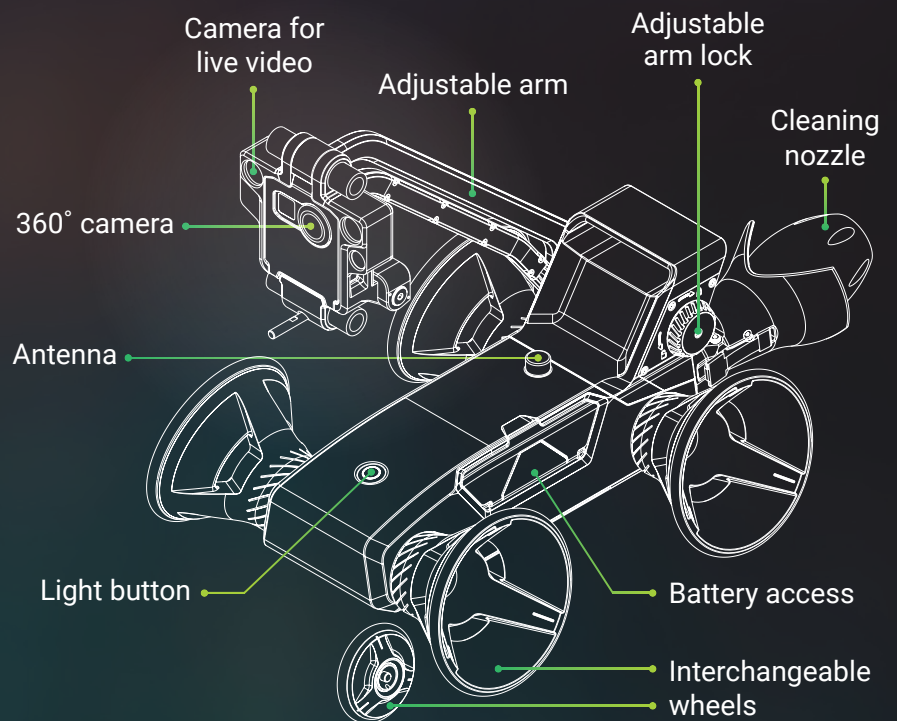
BATTERY AUTONOMY: 1 WORK DAY



BUILT WITH ANODIZED ALUMINUM: RESISTANT AND EASY-TO-CLEAN



WEIGHT: 28 LB



CARRY OUT YOUR PACP INSPECTIONS AT A FRACTION OF THE COST! 418 573-3135

[info@canex.tech](mailto:info@canex.tech)